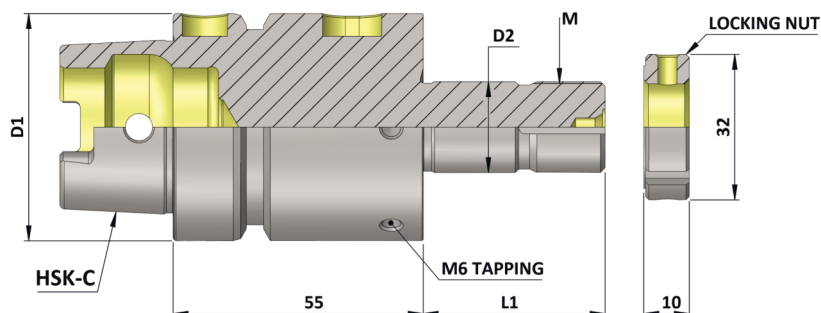


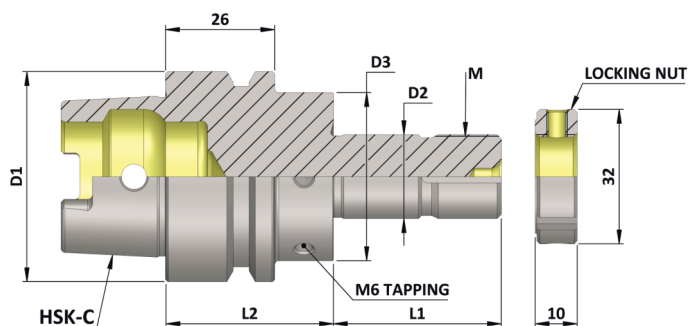
Features :

- All 'KTA' Precision Grinding Wheel Arbors are subjected to sub-zero treatment (-90°C). This treatment helps to prevent the holders from deformation for many years & hence increases the life.
- Concentricity within 0.003mm.
- Main body balanced to G2.5, 25000 R.P.M.
- Designed special washers with fine adjustment screw for re-balancing after wheel mounting.
- Spacers Dia 40 mm, Thickness : 3 mm = 1 no., 6 mm = 1 no. and 12 mm = 2 nos. will be supplied with each Grinding Wheel Arbor Assembly.
- Available for :
 - » ANCA Tool & Cutter Grinding Machine
 - » DECKEL Tool & Cutter Grinding Machine
 - » ROLLOMATIC Tool & Cutter Grinding Machine
 - » REINECKER Tool & Cutter Grinding Machine
 - » SCHUTTE (205 SERIES) & SAACKE Tool & Cutter Grinding Machine
 - » SCHUTTE (305 SERIES) Tool & Cutter Grinding Machine
 - » TGT Tool & Cutter Grinding Machine
 - » WALTER Tool & Cutter Grinding Machine
 - » WIDMA Tool & Cutter Grinding Machine (RX⁵/LX⁵/EZEE GRIND)

Precision Wheel Arbor For Tool & Cutter Grinding Machine



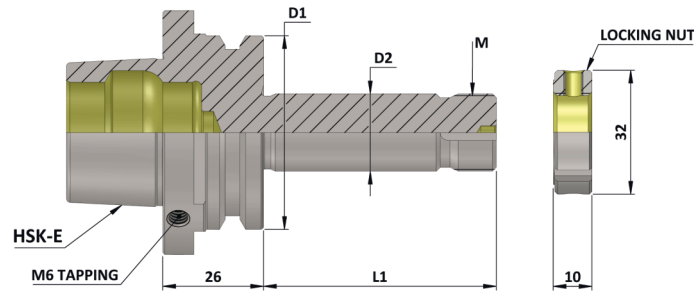
Wheel Arbor HSK - C 50 For WALTER			(Balanced to 2.5G 25000 RPM)			
ITEM NAME	ITEM CODE	HSK-C	D1	D2	L1	M
HSK-C 50 WHEEL ARBOR WALTER DIA 20 X 95	K10309588600127	HSK-C50	50	20	40	M20X1
HSK-C 50 WHEEL ARBOR WALTER DIA 20 X 115	K10309588601127	HSK-C50	50	20	60	M20X1
HSK-C 50 WHEEL ARBOR WALTER DIA 20 X 140	K10309588602127	HSK-C50	50	20	85	M20X1
HSK-C 50 WHEEL ARBOR WALTER DIA 20 X 155	K10309588603127	HSK-C50	50	20	100	M20X1
HSK-C 50 WHEEL ARBOR WALTER DIA 20 X 175	K10309588604127	HSK-C50	50	20	120	M20X1
HSK-C 50 WHEEL ARBOR WALTER DIA 20 X 195	K10309588973521	HSK-C50	50	20	140	M20X1



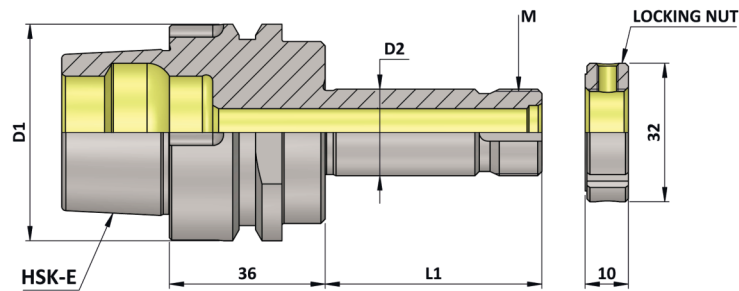
Wheel Arbor HSK - C 50 For SCHUTTE (205 Series) & SAACKE			(Balanced to 2.5G 25000 RPM)					
ITEM NAME	ITEM CODE	HSK-C	D1	D2	D3	L1	L2	M
HSK-C 50 WHEEL ARBOR SCHUTTE 205 DIA 20 X 80	K10309588605127	HSK-C50	50	20	40	40	40	M20X1
HSK-C 50 WHEEL ARBOR SCHUTTE 205 DIA 20 X 100	K10309588606127	HSK-C50	50	20	40	60	40	M20X1
HSK-C 50 WHEEL ARBOR SCHUTTE 205 DIA 20 X 115	K10309588601224	HSK-C50	50	20	40	75	40	M20X1
HSK-C 50 WHEEL ARBOR SCHUTTE 205 DIA 20 X 125	K10309588607127	HSK-C50	50	20	40	85	40	M20X1
HSK-C 50 WHEEL ARBOR SCHUTTE 205 DIA 20 X 140	K10309588602219	HSK-C50	50	20	40	100	40	M20X1

Note: All Dimensions are in mm

Precision Wheel Arbor For Tool & Cutter Grinding Machine



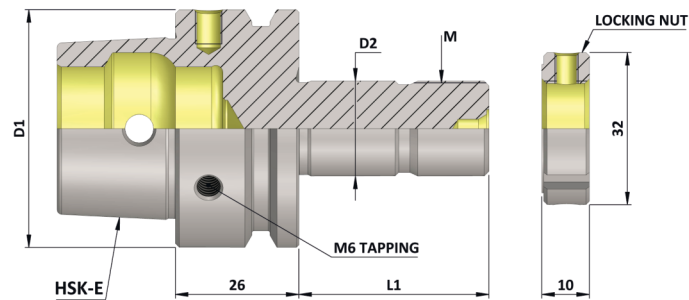
Wheel Arbor HSK- E 50 For ROLLOMATIC			(Balanced to 2.5G 25000 RPM)			
ITEM NAME	ITEM CODE	HSK-E	D1	D2	L1	M
HSK-E 50 WHEEL ARBOR ROLLOMATIC DIA 20 X 75	K10286588595127	HSK-E50	50	20	49	M20X1
HSK-E 50 WHEEL ARBOR ROLLOMATIC DIA 20 X 77	K10286588975521	HSK-E50	50	20	51	M20X1
HSK-E 50 WHEEL ARBOR ROLLOMATIC DIA 20 X 107	K10286588596127	HSK-E50	50	20	81	M20X1



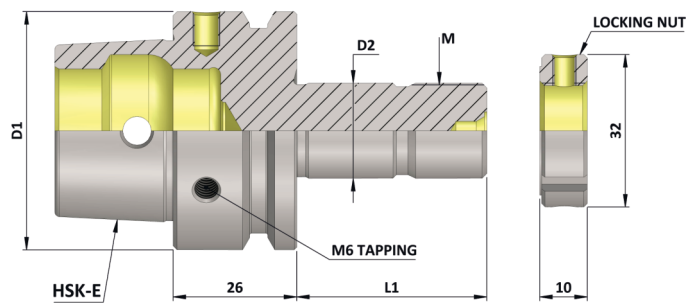
Wheel Arbor HSK- E 50 For WIDMA (RX ⁵ /LX ⁵ /EZEE GRIND)			(Balanced to 2.5G 25000 RPM)			
ITEM NAME	ITEM CODE	HSK-E	D1	D2	L1	M
HSK-E 50 WHEEL ARBOR WIDMA DIA 20 X 86	K10286588545127	HSK-E50	50	20	50	M20X1
HSK-E 50 WHEEL ARBOR WIDMA DIA 20 X 126	K10286588544127	HSK-E50	50	20	90	M20X1
HSK-E 50 WHEEL ARBOR WIDMA DIA 1 1/4" X 126	K10286942331171	HSK-E50	50	1-1/4"	90	M31.50 x 1.50
HSK-E 50 WHEEL ARBOR WIDMA DIA 1 1/4" X 161	K10286942331174	HSK-E50	50	1-1/4"	125	M31.50 x 1.50

Note: All Dimensions are in mm

Precision Wheel Arbor For Tool & Cutter Grinding Machine



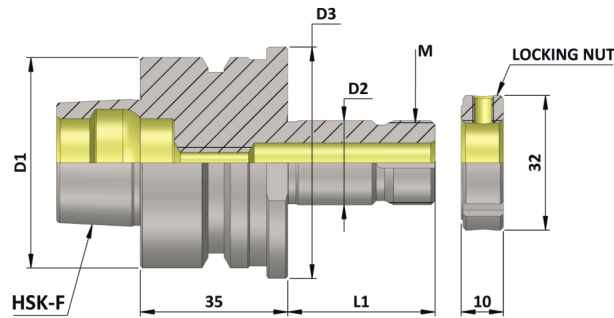
Wheel Arbor HSK- E 50 For REINECKER (Balanced to 2.5G 25000 RPM)						
ITEM NAME	ITEM CODE	HSK-E	D1	D2	L1	M
HSK-E 50 WHEEL ARBOR REINECKER DIA 20 X 75	K10286588595248	HSK-E50	50	20	49	M20X1
HSK-E 50 WHEEL ARBOR REINECKER DIA 20 X 100	K10286588596248	HSK-E50	50	20	74	M20X1
HSK-E 50 WHEEL ARBOR REINECKER DIA 20 X 135	K10286588580248	HSK-E50	50	20	109	M20X1



Wheel Arbor HSK- E 50 For SCHUTTE (305 Series) (Balanced to 2.5G 25000 RPM)						
ITEM NAME	ITEM CODE	HSK-E	D1	D2	L1	M
HSK-E 50 WHEEL ARBOR SCHUTTE 305 DIA 20 X 66	K10286588595182	HSK-E50	50	20	40	M20X1
HSK-E 50 WHEEL ARBOR SCHUTTE 305 DIA 20 X 81	K10286588589182	HSK-E50	50	20	55	M20X1
HSK-E 50 WHEEL ARBOR SCHUTTE 305 DIA 20 X 111	K10286588545182	HSK-E50	50	20	85	M20X1

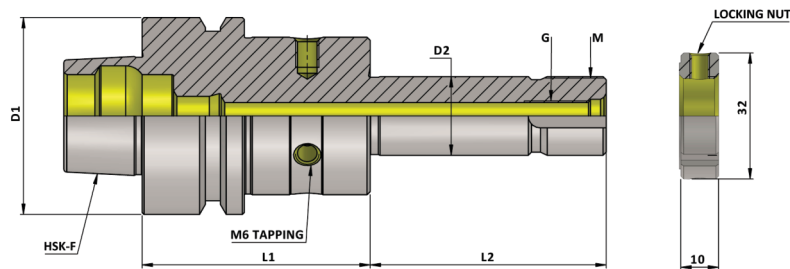
Note: All Dimensions are in mm

Precision Wheel Arbor For Tool & Cutter Grinding Machine



Wheel Arbor HSK-F 40 & HSK-F 50 For ANCA (Balanced to 2.5G 25000 RPM)

ITEM NAME	ITEM CODE	HSK-F	D1	D2	D3	L1	M
HSK-F 40 WHEEL ARBOR ANCA DIA 20 X 128	K1035958880530	HSK-F40	40	20	50	95	M20X1
HSK-F 50 WHEEL ARBOR ANCA DIA 20 X 80	K10304588589127	HSK-F50	50	20	55	45	M20X1
HSK-F 50 WHEEL ARBOR ANCA DIA 20 X 107	K10304588590127	HSK-F50	50	20	55	72	M20X1
HSK-F 50 WHEEL ARBOR ANCA DIA 20 X 130	K10304588591127	HSK-F50	50	20	55	95	M20X1

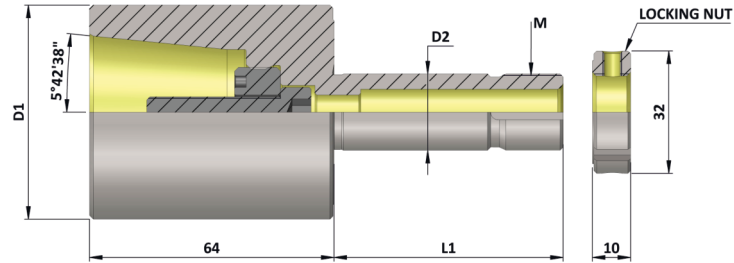


Wheel Arbor HSK-F50 For DECKEL (Balanced to 2.5G 25000 RPM)

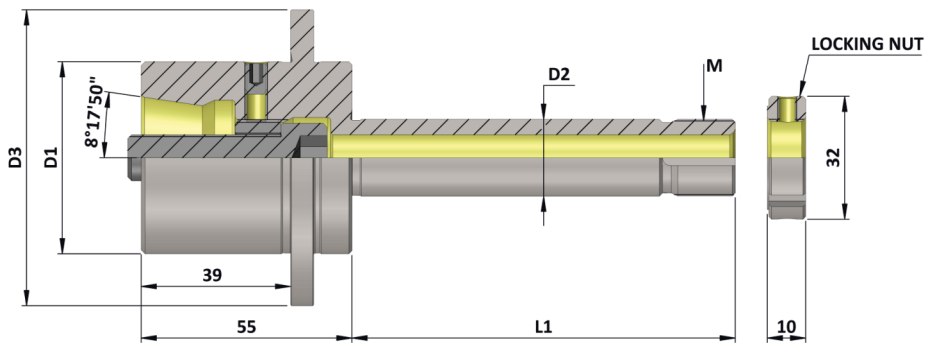
ITEM NAME	ITEM CODE	HSK-F	D1	D2	L1	L2	G	M
HSK-F 50 WHEEL ARBOR DECKEL DIA 20 X 118	K10304588580127	HSK-F50	50	20	58	60	M8	M20X1
HSK-F 50 WHEEL ARBOR DECKEL DIA 20 X 148	K10304588592127	HSK-F50	50	20	58	90	M8	M20X1

Note: All Dimensions are in mm

Precision Wheel Arbor For Tool & Cutter Grinding Machine



Wheel Arbor For TGT/WIDMA						
ITEM NAME	ITEM CODE	D1	D2	L1	M	
WHEEL ARBOR TGT / WIDMA DIA 20 X 124	K10268627301127	56	20	60	M20X1	
WHEEL ARBOR TGT / WIDMA DIA 20 X 144	K10268628301127	56	20	80	M20X1	



Wheel Arbor For WALTER						
ITEM NAME	ITEM CODE	D1	D2	D3	L1	M
WHEEL ARBOR WALTER DIA 20 X 115	K10268625301127	50	20	77	60	M20X1
WHEEL ARBOR WALTER DIA 20 X 155	K10268626301127	50	20	77	100	M20X1

Note: All Dimensions are in mm